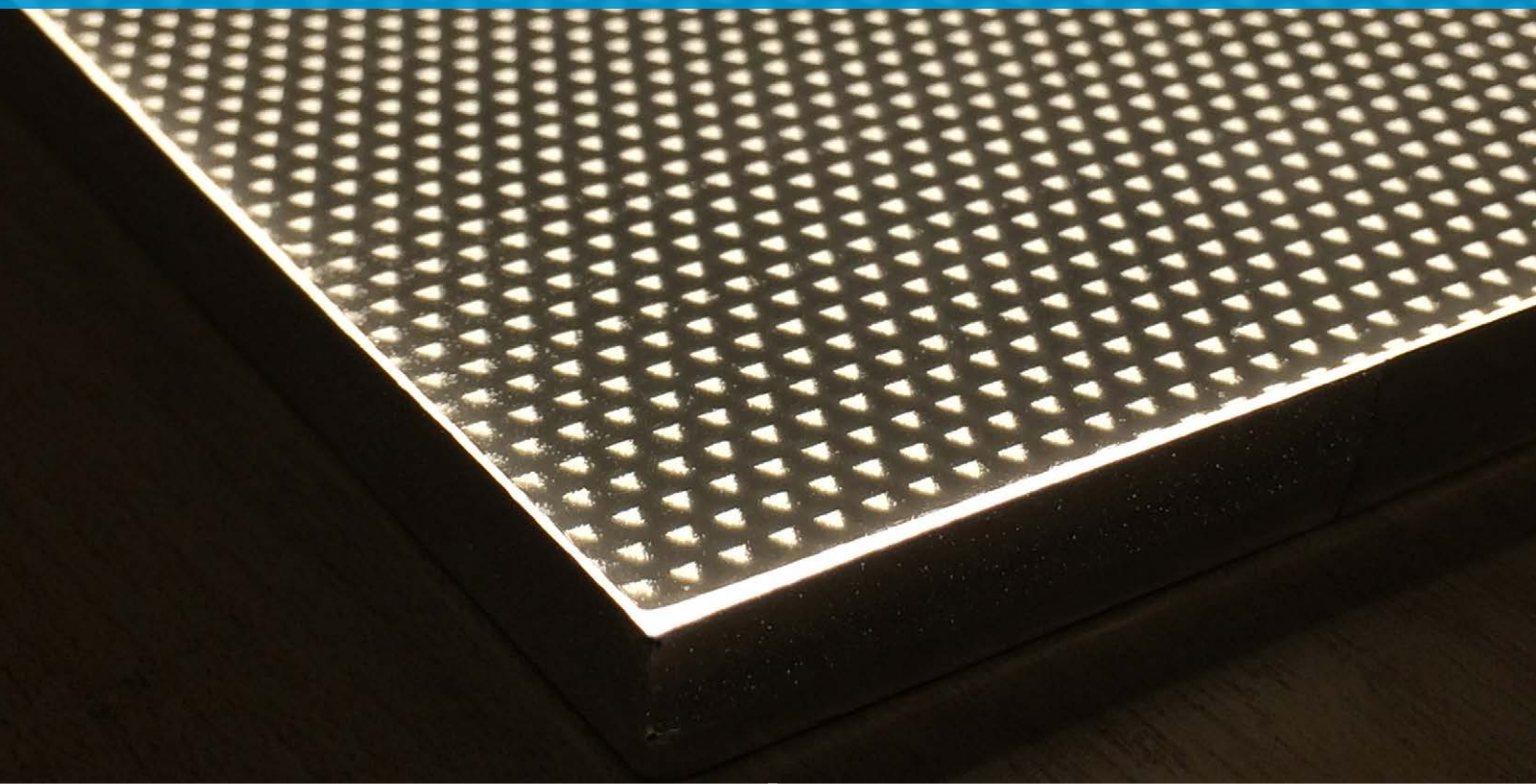


# Spanlite Frame

The super-slim LED light panel, ideal for retro-fit projects and large format illuminated displays. Includes an option for on-board graphics - the complete backlit solution!



## Super-slim illumination

The Spanlite Frame incorporates our Spanlite-Sheet-LXJ edge-lighting technology, providing clean and even light across the whole panel. With a range of off-the-shelf sizes up to 3 x 2m, only our technology offers an even spread of light across such large distances. With a depth of only 18mm, the Spanlite Frame provides the slimmest of illumination solutions.

Spanlite also offer a complete design solution for your project, including a full creative studio and production service. We have install teams too, so from artistic concepts through to final installation we can help you deliver your creative vision.

- Super-slim panel illuminates evenly across the whole display surface.

### • The leading technology for even illumination across large distances.

- Fluorescent 'stripes' and bleached out poster colours a thing of the past.
- Sizes up to 3 x 2m per panel.
- Built in the UK using top-brand components leading to reliable, long-life LED lighting.

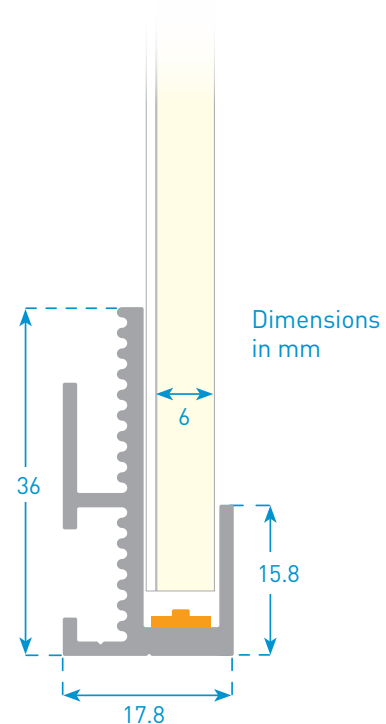
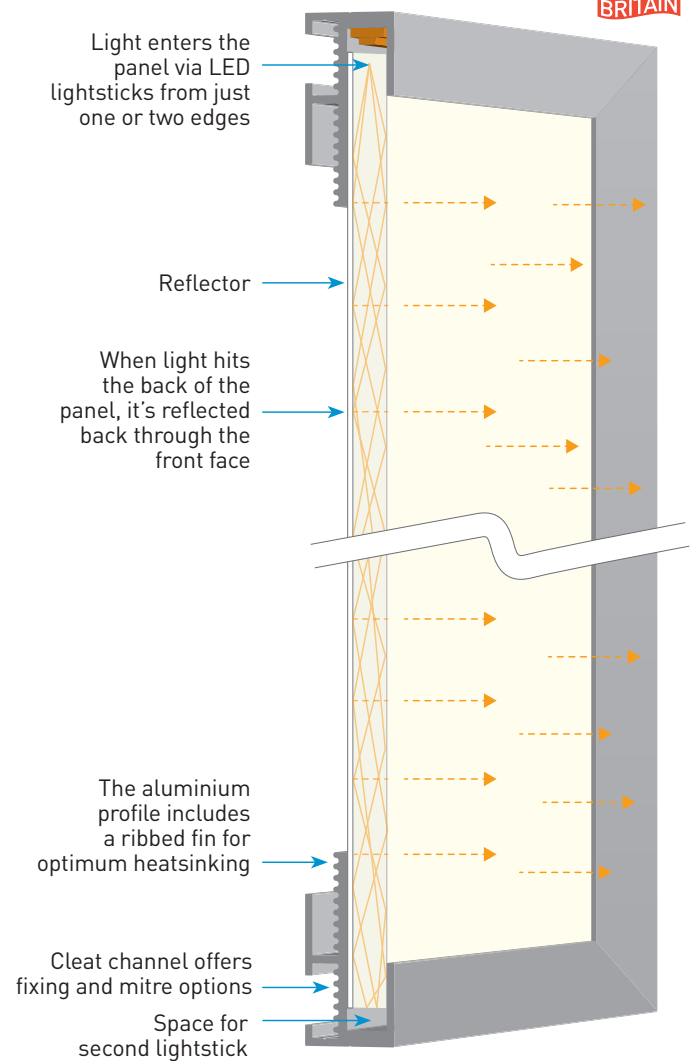
## Standard external frame sizes

A3	420 x 297mm
A2	594 x 420mm
A1	841 x 594mm
A0	1189 x 841mm
4-Sheet	1016 x 1524mm
6-Sheet	1200 x 1800mm
12-Sheet	3048 x 1524mm
Maximum	3050 x 2030mm

Custom sizes available on request

## Panel specifications / options

LED type	OSRAM DURIS E5
Colour temp	2700°K, 3000°K, 4000°K, 5700°K – others on request
CRI	85 typical
LED Driver	Driver included, option for dimmable
Cable	1.5m standard
Voltage	24V DC standard
Wattage	27W/m standard
Efficiency	114Lm/W typical
IP Rating	For indoor use / IP65 optional
Lifetime	50,000+ hours
Warranty	2 year / 5 year optional



CALL +44 (0)1273 007 280  
EMAIL [info@spanlite.com](mailto:info@spanlite.com)  
VISIT [www.spanlite.com](http://www.spanlite.com)